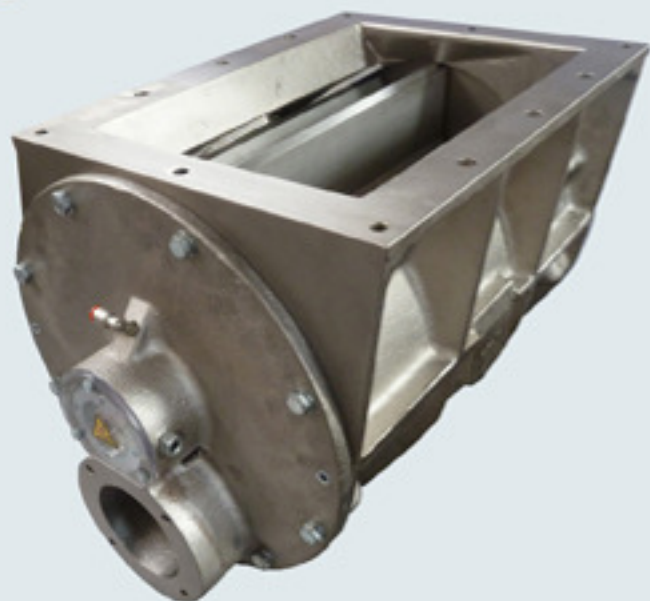


VSFC ROTARY VALVE is designed to discharge containers holding powder and granule. Thanks to COMAV'S TECHNOLOGY VSFC can be used upon all hard application assuring an average discharge time of 50/60 minutes per 30" Container. The capacity of valve and its shape are in according to the main logistic companies's needs.



APPLICATIONS

- ON CHASSIS
- GENERAL PNEUMATIC CONVEYING
- POWDER
- GRANULE

DESIGN

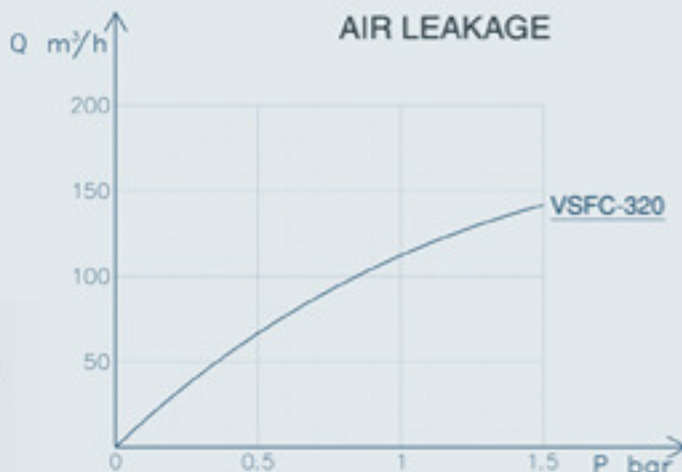
- FLANGING: SQUARE
- SIZE: 320
- HOUSING: CAST IRON CASTING, STAINLESS STEEL AISI 316L CASTING
- ROTOR: WELDED CARBON STEEL OR STAINLESS STEEL AISI 304, AISI 316L
- DRIVE: DIRECT DRIVE, CHAIN TRANSMISSION. ELECTRIC OR HYDRAULIC MOTOR AVAILABLE IN BARE SHAFT VERSION.
- ROBUST & COMPACT DESIGN WITH MINIMAL ROTOR TOLERANCE

FEATURES

- PRESSURE: -0,5 BAR, +2 BAR
- MAX PRESSURE FOR HYDRAULIC MOTOR: 70 BAR
- QUANTITY OF REQUEST OIL : 50 KG/MIN (IN CASE OF HYDRAULIC MOTOR)
- TEMPERATURE: MAX 65 °C
- ROTATION SPEED: 42 RPM MAX
- INTEGRATED CASTING INNER HOPPER (BETTER FILLING EFFICIENCY)
- OPEN ENDS ROTOR UP TO 10 VANES

OPTIONALS

- DIFFERENT ROTORS FOR DIFFERENT PRODUCTS
- NICKEL COATING
- NICKEL COATING FOOD GRADE
- HARD CHROMIUM PLATING
- VARIOUS POLISHING DEGREES
- FOOD GRADE GASKET
- HIGH TEMPERATURE CONFIGURATION
- FEEDING HOPPER COMPLETE WITH FLAP VALVE
- AIR BLOW-IN PURGE
- AIR INTAKES HOLES ON HOUSING
- SPEED DISPLAY
- SPEED CONTROLLER



BROCHURE

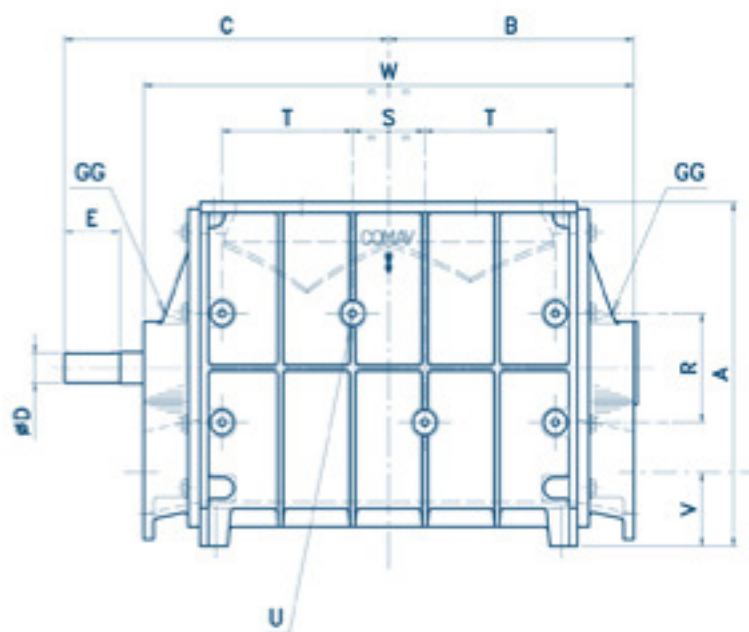


COMPLIANCE

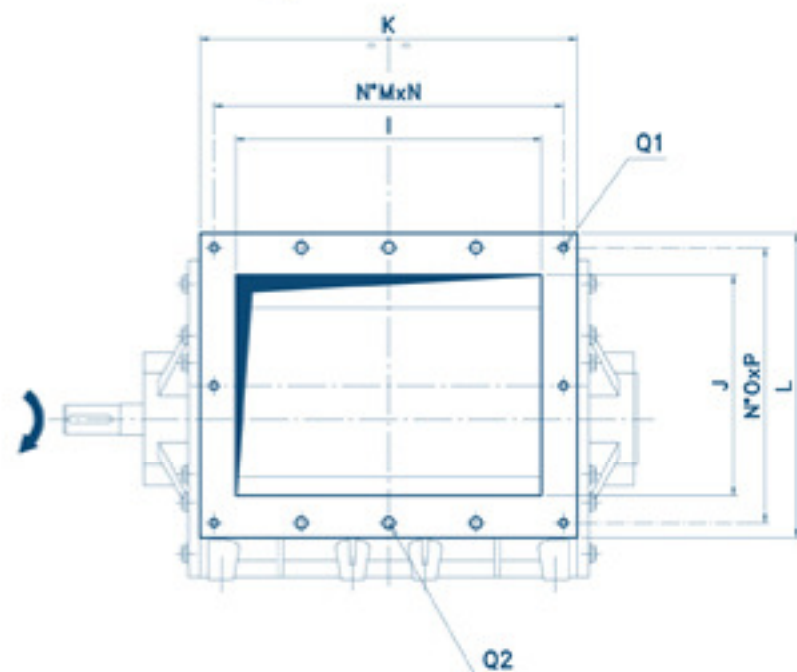
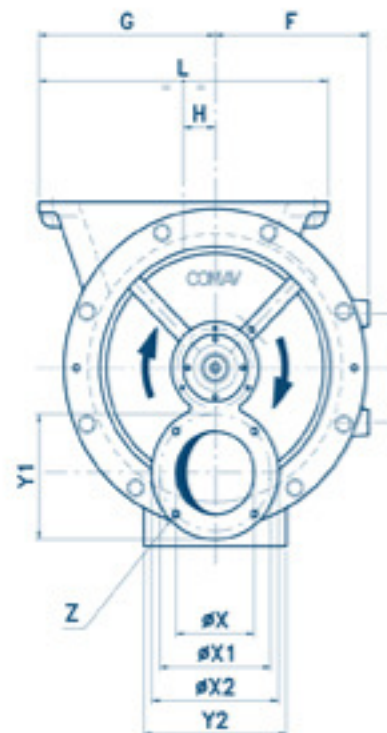


II 1/2DC T135° - II 2/3DC T135°

FRONTAL VIEW



SIDE VIEW



FLANGING VIEW

A	B	C	D	E	F	G	H	I	J	K	L	M	N	O	P	Q1	Q2	
320	411	309	409	ø35	70	193	222,5	40	385	265	475	365	4	110	2	165	M12	ø14
R	S	T	U	V	W	X	X1	X2	Y1	Y2	Z	L/Rev.	WEIGHT	GG				
320	130	91	164,5	M10	88	617	ø99	ø140	ø160	150	180	M10	29	Kg 170	1/8" GAS			