

COMAV'S BLOW THROUGH ROTARY VALVES are designed to handle pneumatic conveying in dilute and dense phase for every industrial application such as food, plastic, rubber, chemical, pharmaceutical and mining. Thanks to COMAV'S TECHNOLOGY our valve is used for powder and fine products assuring a perfect reliability and meeting a wide range of customer's requirements. The square flange and a special disalignment allows a complete cell discharge without any breakage of the product.



### APPLICATIONS

- POWDER
- FINE PRODUCTS
- VACUUM CONVEYING
- PNEUMATIC CONVEYING

### DESIGN

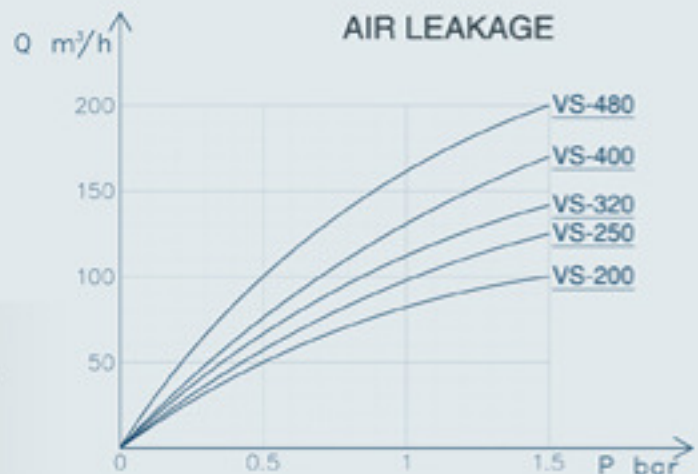
- FLANGING: SQUARE
- SIZE: 200,250,320,400,480
- HOUSING: CAST IRON CASTING, STAINLESS STEEL AISI 316L CASTING
- ROTOR: WELDED CARBON STEEL OR STAINLESS STEEL AISI 304, AISI 316L
- DRIVE: CHAIN TRANSMISSION AS STANDARD OR DIRECT DRIVE. AVAILABLE IN BARE SHAFT VERSION. ALL OUR DRIVES CAN BE CONTROLLED BY INVERTER.
- ROBUST&COMPACT DESIGN WITH MINIMAL ROTOR TOLERANCE

### FEATURES

- PRESSURE: 1,5 BAR
- TEMPERATURE: MAX 65 °C
- AIR LEAKAGE: SEE CHART
- INTEGRATED CASTING INNER HOPPER ( BETTER FILLING EFFICIENCY)
- 8 VANES OPEN ENDS ROTOR

### OPTIONALS

- DIFFERENT ROTORS FOR DIFFERENT PRODUCTS
- NICKEL COATING
- NICKEL COATING FOOD GRADE
- HARD CHROMIUM PLATING
- VARIOUS POLISHING DEGREES
- FOOD GRADE GASKET
- HIGH TEMPERATURE CONFIGURATION
- FEEDING HOPPER COMPLETE WITH AIR INTAKES
- AIR BLOW-IN PURGE
- AIR INTAKES HOLES ON HOUSING
- SPEED DISPLAY
- SPEED CONTROLLER



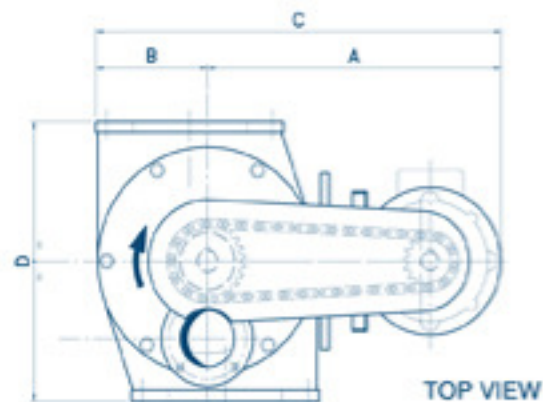
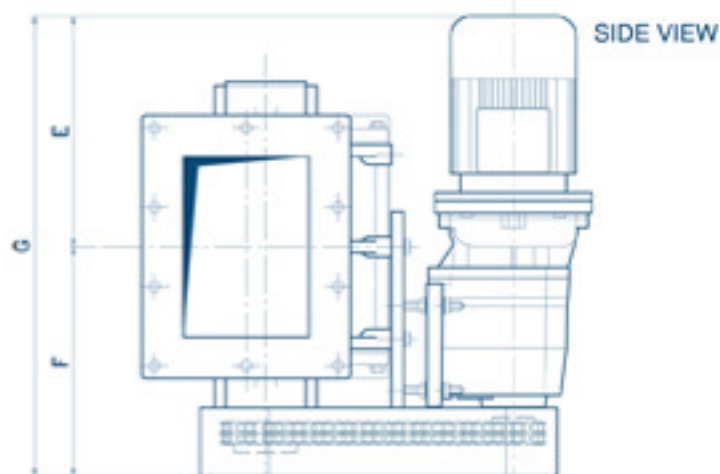
BROCHURE



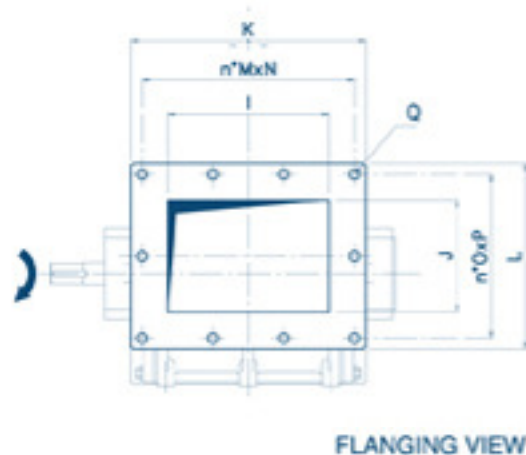
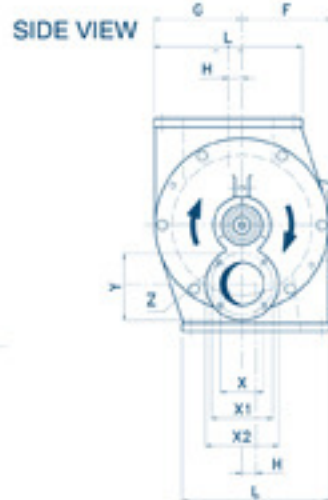
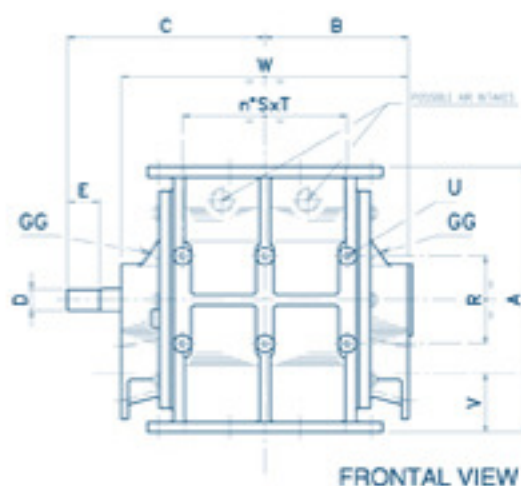
COMPLIANCE



II 1/3DC T135\* - II 2/3DC T135\*



	A	B	C	D	E	F	G	L./Rev.	Rev./1' max	POWER	WEIGHT
200	360	132,5	492,5	320	235	280	515	4,5	30	Kw 0.37	Kg 90
250	410	157,5	567,5	380	255	295	550	8	30	Kw 0.55	Kg 127
320	455	192,5	647,5	450	274	321	595	16	30	Kw 0.75	Kg 196
400	555	237,5	792,5	570	285	380	665	37	30	Kw 1,10	Kg 345
480	635	282,5	917,5	660	255	425	680	65	30	Kw 1.50	Kg 585



	A	B	C	D	E	F	G	H	I	J	K	L	M	N	O	P
200	320	190	267	ø30	47	130	132,5	20	200	140	285	225	3	86	2	99
250	380	205	282	ø30	47	160	157,5	25	230	160	335	265	3	101	2	117
320	450	221	304	ø35	53	195	192,5	40	260	200	365	305	3	111	2	136
400	570	280	368	ø40	56	240	237,5	55	370	260	475	365	4	110	2	165
480	660	315	405	ø52	65	305	282,5	70	444	300	570	425	4	132	2	191

	Q	R	S	T	U	V	W	X	Y	Z	X1	X2	L./Rev.	WEIGHT	GG
200	ø12	115	1	210	M10	70	380	ø60	100	M10	ø90	ø110	4,5	Kg 68	1/8" GAS
250	ø14	125	2	117,5	M10	85	410	ø77	117	M10	ø110	ø130	8	Kg 98	1/8" GAS
320	ø14	175	2	132,5	M10	100	442	ø99	148	M10	ø140	ø160	16	Kg 160	1/8" GAS
400	ø14	220	3	125	M10	131	560	ø129	189	M12	ø170	ø200	37	Kg 285	1/4" GAS
480	ø18	220	3	150	M10	147,5	630	ø156	108	M14	ø210	ø240	65	Kg 510	1/4" GAS