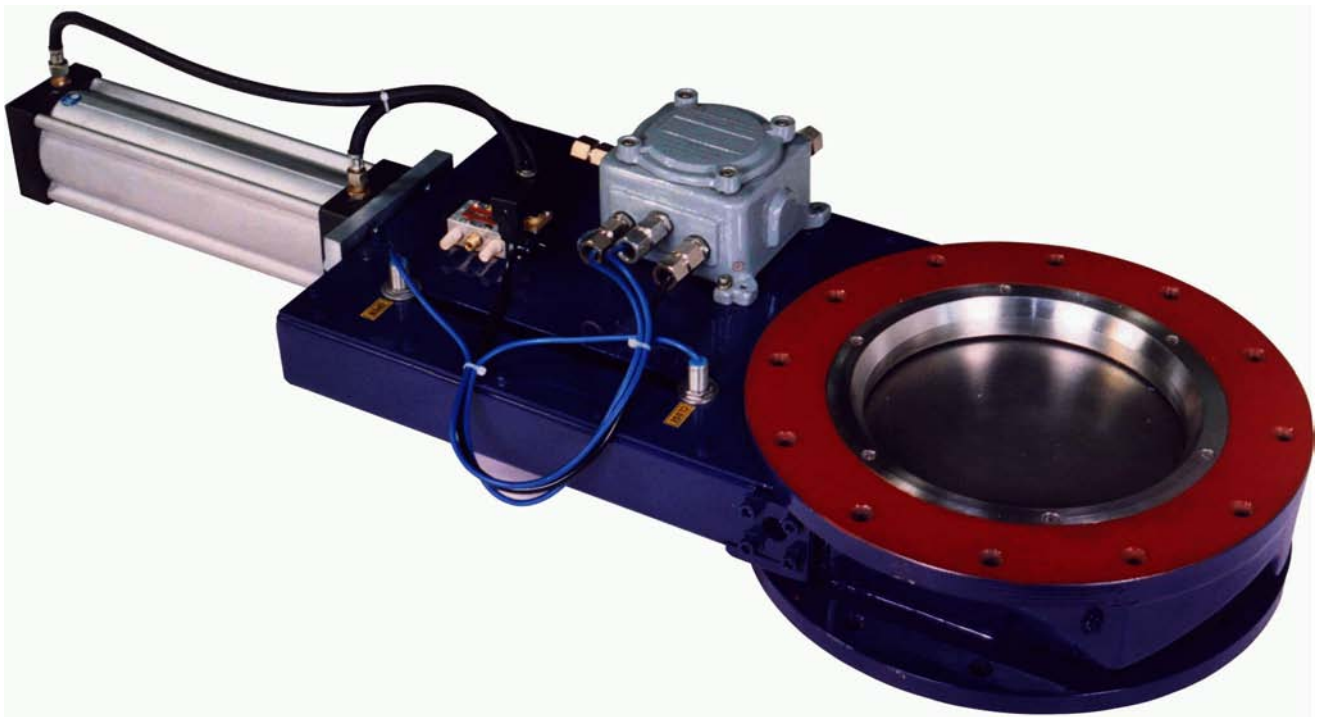


## SCHÜTTE SLIDE GATE VALVE TYPE ZFB-D



## SCHÜTTE SLIDE GATE VALVE TYPE ZFB-D

### GENERAL

#### Technical data

- Nominal sizes: - DN 100 – DN 400
- Flange sizes: - DIN 2501 PN10
  - ANSI B 16.5, Class 150 lbs
- Operation: - manual (handwheel or crankle)
  - pneumatical
  - hydraulic
  - electromotive
  - option
    - automatic motion including linear positioner
    - Explosion proof
- Temperature: - -20°C up to +270°C
  - Depending on sealing material and housing construction
- Pressure test: - - body and seat as per DIN 3230-3-Group B, leakage rate 3

#### Available materials:

- Body:
  - Aluminium LM16 max. 150°C
  - Cast iron CI max. 300°C
  - Cast steel CS max. 300°C
  - Stainless steel SS304/SS316 max. 300°C
  - Special materials on request
- Gate:
  - Stainless steel 1.4301, 1.4401, 1.4571
  - Special materials and coating on request
- Sealing:
  - EPDM up to 130°C
  - FKM (Viton) 200°C
  - PTFE 260°C
  - MVQ 160°C
  - MVQ HT 260°C
  - on request

# SCHÜTTE SLIDE GATE VALVE TYPE ZFB-D

## GENERAL

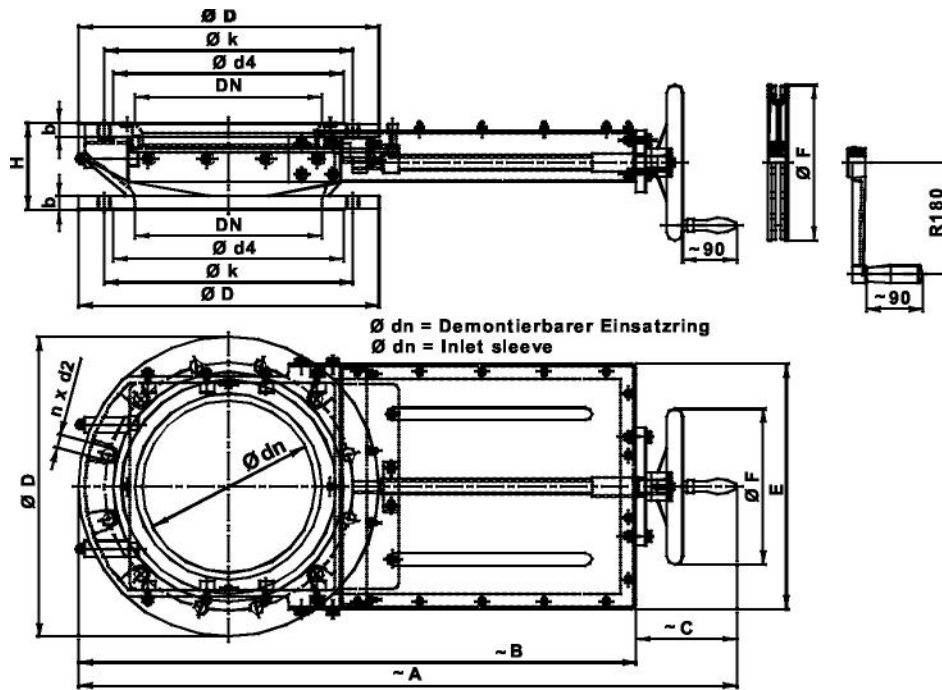
### Properties

- Usage:
  - emergency stop valve
  - bunker closure valve
  - partial shut off
  - batch valve
- Bulk material: - dry and free flowable bulk solids, free flowable powder, granulate
- features: - wafer type knife gate valve
  - long operating life of inlet sealing because of nearly non-contact during opening
  - exchange of gate and cross seal possible without removing valve
  - perfect cutting of free bulk solids
  - various installation positions
  - short closure- and opening times
- max. pressure:
  - = 1,0 bar pü

## SCHÜTTE SLIDE GATE VALVE TYPE ZFB-D

### DATA SHEET

Operation by hand wheel, chaindrive or crankle

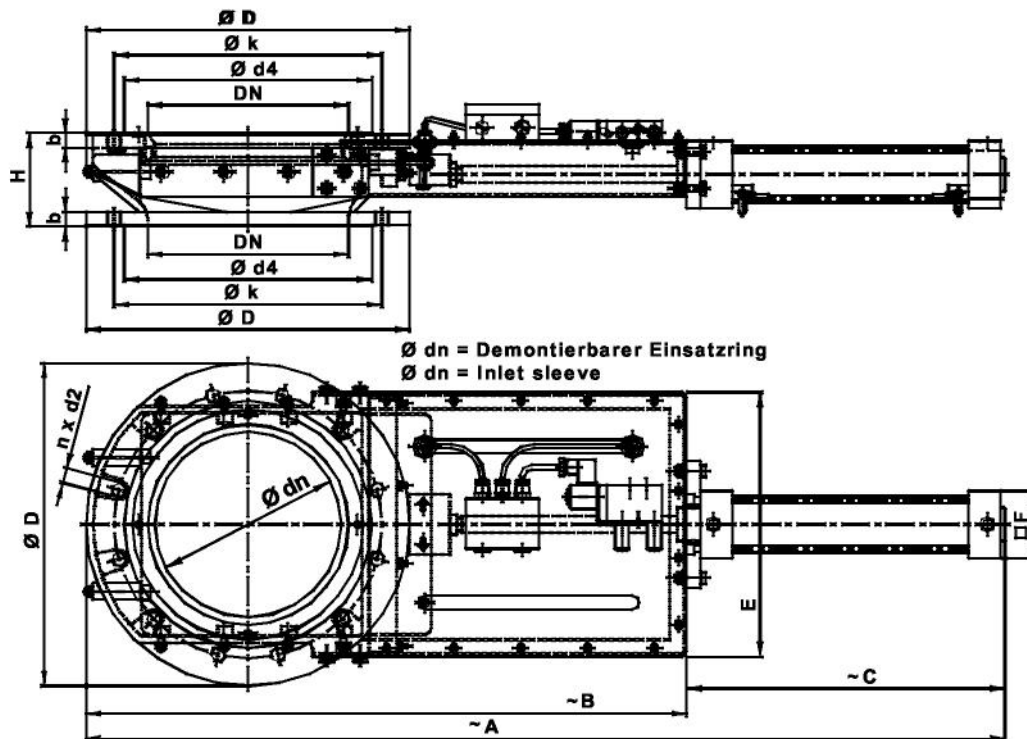


DN	Ø dn	Ø d4	Flange	Øk ± 0.2	n x d2	b	~A	~B	~C	Ø D	E	Ø F	H
100	78	158	PN10	180	8xM 16	16	577	431	146	229	204	200	110
			ANSI	190,5	8xW 5/8"								
150	128	212	PN10	240	8xM 20	18	677	531	146	279	254	200	125
			ANSI	241,3	8xW 3/4"								
200	178	268	PN10	295	8xM 20	20	788	642	146	343	304	250	125
			ANSI	298,4	8xW 3/4"								
250	228	320	PN10	350	12xM 20	22	915	769	146	406	354	250	140
			ANSI	361,9	12xW 7/8"								
300	278	370	PN10	400	12xM 20	22	1043	897	146	483	404	250	140
			ANSI	431,8	12xW 7/8"								
350	328	430	PN10	460	16xM 20	22	1149	1003	146	534	454	250	150
			ANSI	476,3	12xW 1"								
400	378	482	PN10	515	16xM 24	22	1256	1110	146	597	504	250	150
			ANSI	539,8	16xW 1"								

## SCHÜTTE SLIDE GATE VALVE TYPE ZFB-D

### DATA SHEET

#### Electropneumatically operated

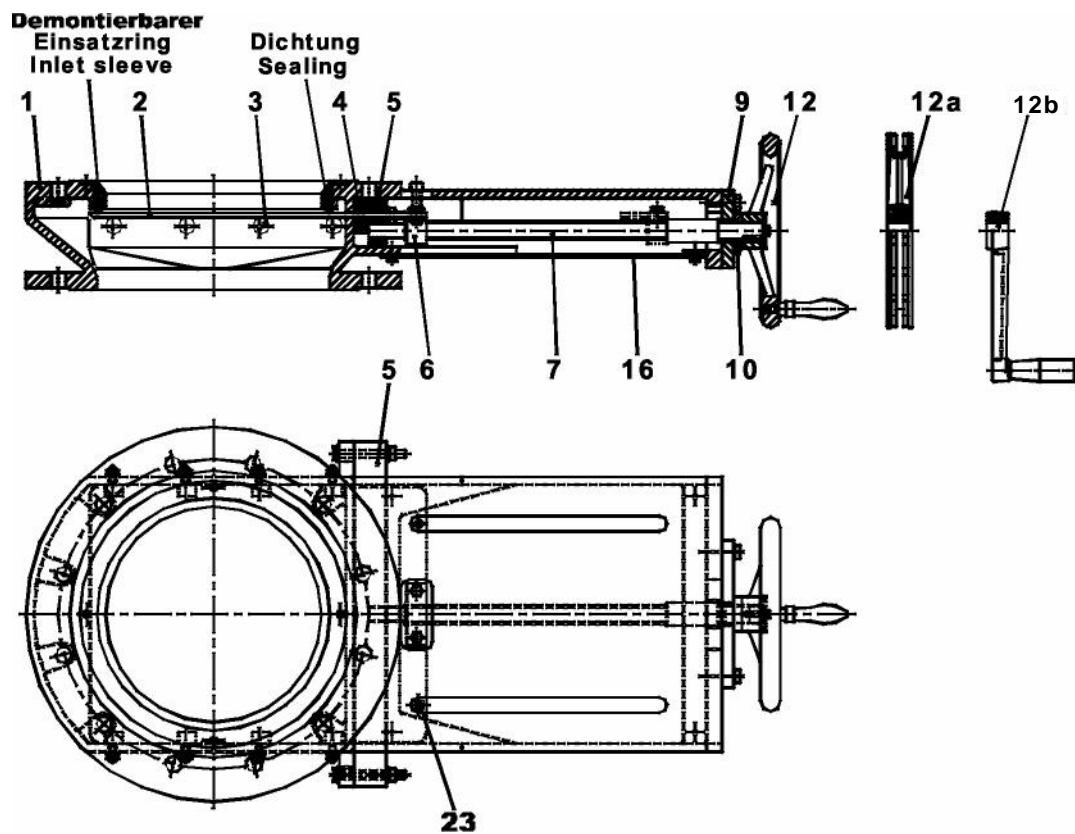


DN	Ø dn	Ø d4	Flange	Øk ± 0.2	n x d2	b	~A	~B	~C	Ø D	E	F	H
100	78	158	PN10	180	8xM 16	16	691	431	260	229	204	78	110
			ANSI	190,5	8xW 5/8"								
150	128	212	PN10	240	8xM 20	18	841	531	310	279	254	78	125
			ANSI	241,3	8xW 3/4"								
200	178	268	PN10	295	8xM 20	20	1002	642	360	343	304	78	125
			ANSI	298,4	8xW 3/4"								
250	228	320	PN10	350	12xM 20	22	1194	769	425	406	354	100	140
			ANSI	361,9	12xW 7/8"								
300	278	370	PN10	400	12xM 20	22	1372	897	475	483	404	100	140
			ANSI	431,8	12xW 7/8"								
350	328	430	PN10	460	16xM 20	22	1523	1003	520	534	454	120	150
			ANSI	476,3	12xW 1"								
400	378	482	PN10	515	16xM 24	22	1680	1110	570	597	504	120	150
			ANSI	539,8	16xW 1"								

# SCHÜTTE SLIDE GATE VALVE TYPE ZFB-D

## SPARE PARTS LIST

Operation by hand wheel, chaindrive or crankle  
Size DN 100-300



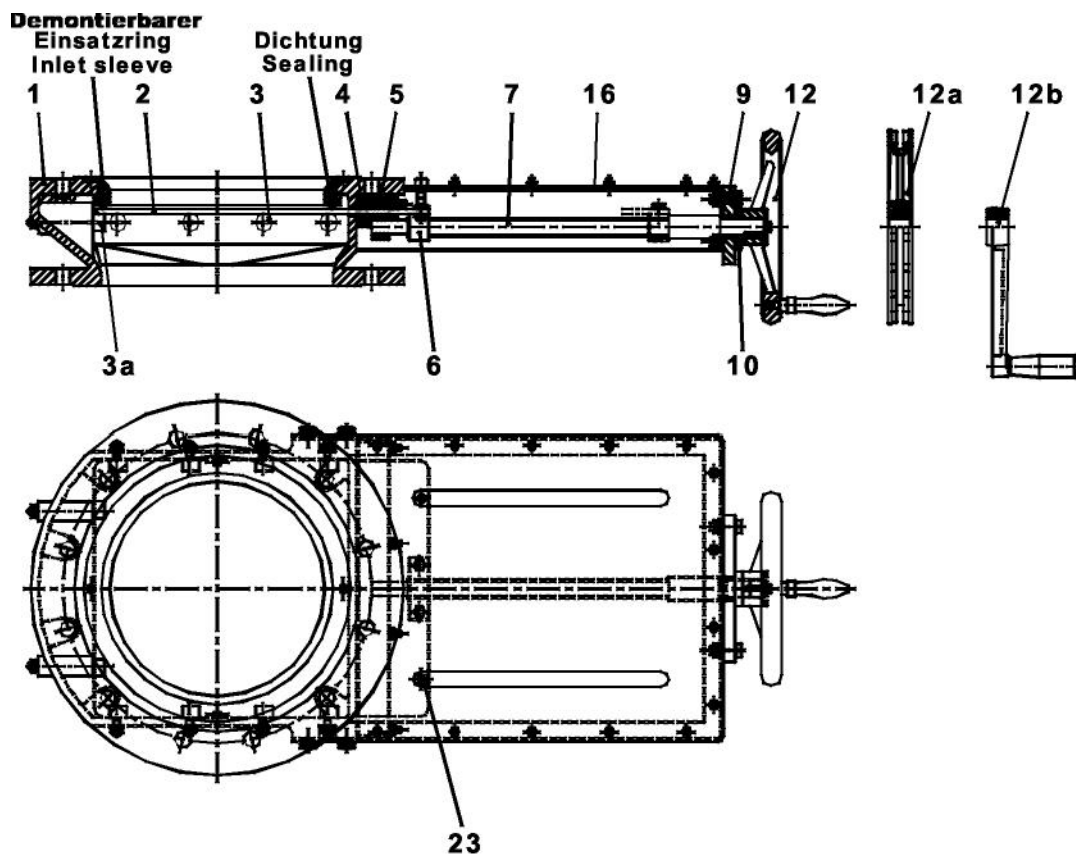
Part	Description
1	Housing
2	Slide gate
3	Guide cams
4	Circular cord + flat sealing
5	Sealing plate
6	Spindle nut
7	Spindle

	Description
9	Connecting plate
10	Busch
12	Hand wheel with handle (Option)
12a	Chain wheel (Option)
12b	Crankle (Standard)
16	Cover plate
23	Optical position indicator

## SCHÜTTE SLIDE GATE VALVE TYPE ZFB-D

### SPARE PARTS LIST

Operation by hand wheel, chaindrive or crankle  
Size DN 350-400



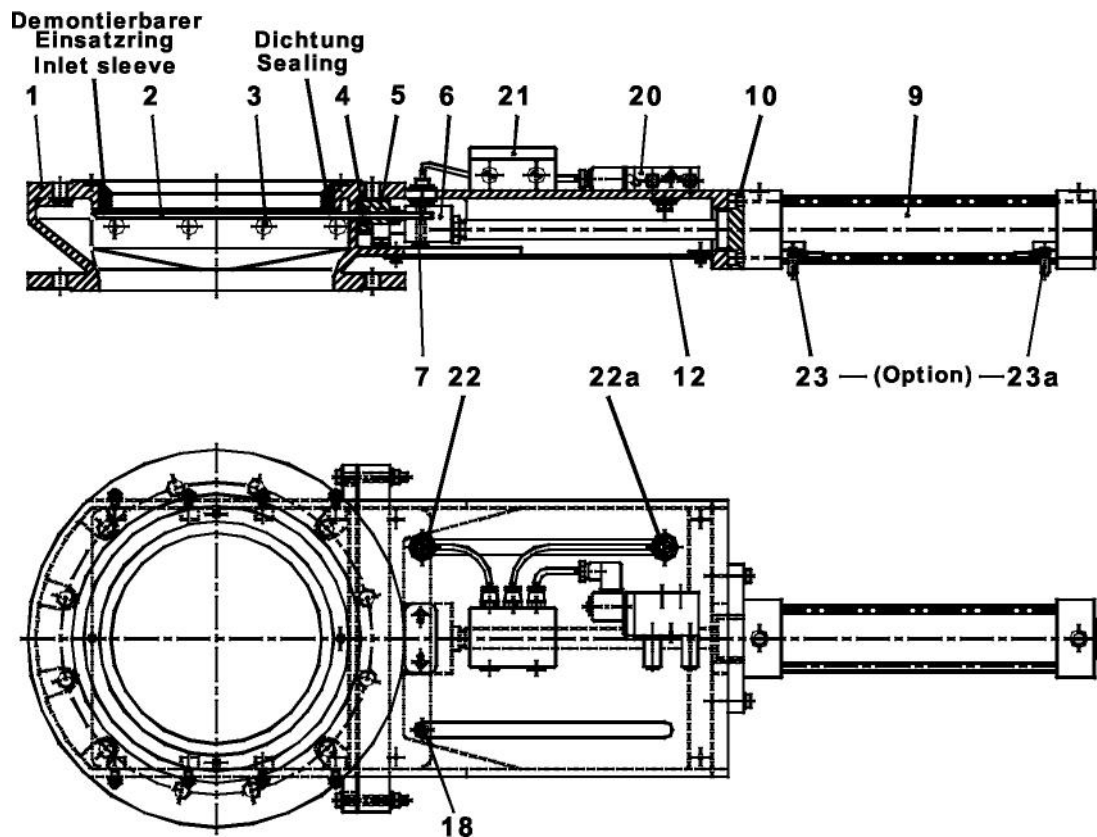
Part	Description
1	Housing
2	Slide gate
3	Guide cams
3a	Guide cams
4	Circular cord + flat sealing
5	Sealing plate
6	Spindle nut
7	Spindle

	Description
9	Connecting plate
10	Busch
12	Hand wheel with handle (Option)
12a	Chain wheel (Option)
12b	Crankle (Standard)
16	Cover plate
23	Optical position indicator

## SCHÜTTE SLIDE GATE VALVE TYP9 ZFB-D

### SPARE PARTS LIST

Electropneumatically operated Size DN 100-300



Part	Description
1	Housing
2	Slide gate
3	Guide cams
4	Circular cord + flat sealing
5	Sealing plate
6	Fork
7	Bolt
9	Pneumatic actuator
10	Connecting plate

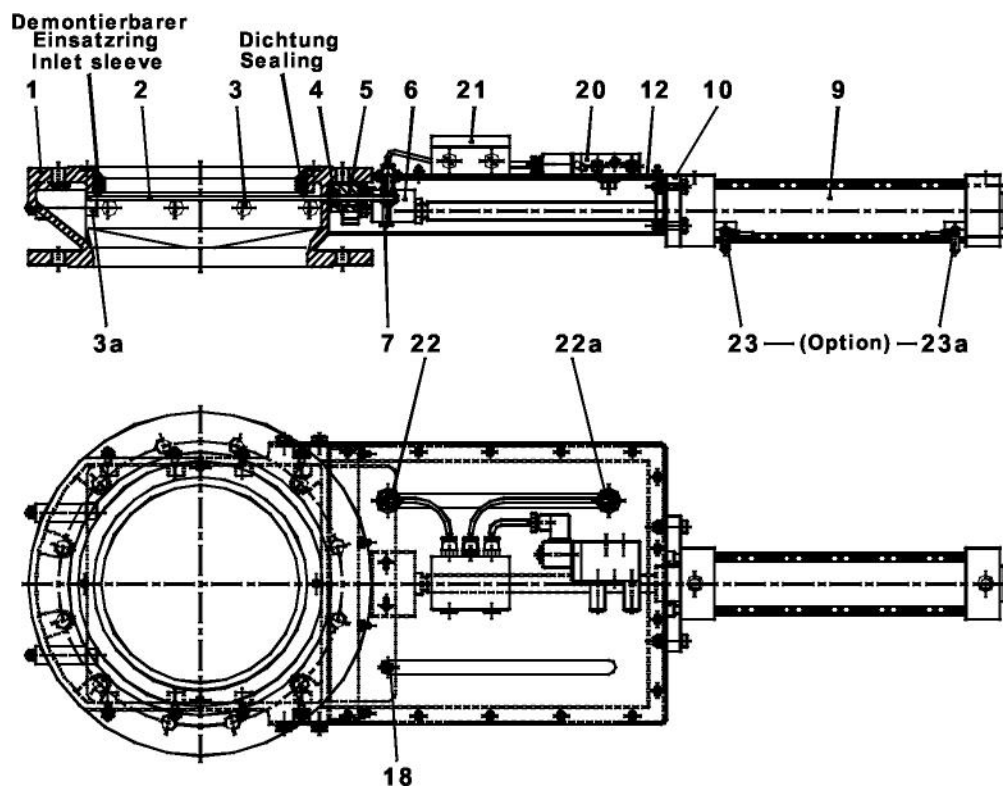
	Description
12	Cover plate
18	Optical position indicator
20	Solenoid valve
21	Junction box
22	Limit switch "Close" (Console - Standard)
22a	Limit switch "Open" (Console - Standard)
	<i>alternative</i>
23	Limit switch "Close" (on cylinder)
23a	Limit switch "Open" (on cylinder)



## SCHÜTTE SLIDE GATE VALVE TYPE ZFB-D

### SPARE PARTS LIST

Electropneumatically operated  
Size DN 350-400



Part	Description
1	Housing
2	Slide gate
3	Guide cams
3a	Guide cams
4	Circular cord + flat sealing
5	Sealing plate
6	Fork
7	Bolt
9	Pneumatic actuator
10	Connecting plate

	Description
12	Cover plate
18	Optical position indicator
20	Solenoid valve
21	Junction box
22	Limit switch "Close" (Console - Standard)
22a	Limit switch "Open" (Console - Standard)
	<i>alternative</i>
23	Limit switch "Close" (on cylinder)
23a	Limit switch "Open" (on cylinder)

**SCHÜTTE SLIDE GATE VALVE  
TYPE ZFB-D**